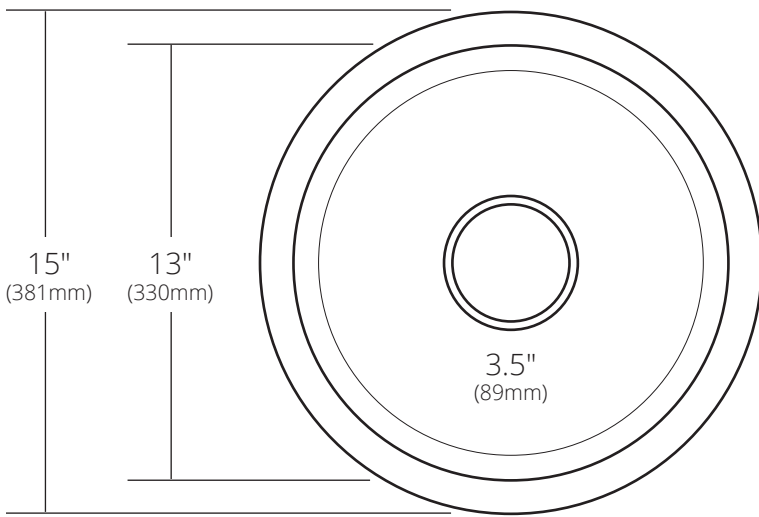


SPECIFICATIONS

REDONDO CHICO



TOP VIEW



CPS260 Antique
CPS560 Brushed Nickel

PRODUCT DETAILS

- 15" x 7.5" OD (381mm x 191mm)
- 13" x 7" ID (330mm x 178mm)
- Hand hammered 16 gauge recycled copper
- 3.5" (89mm) drain opening

INSTALLATION

- Drop-In or Undermount

COORDINATING PRODUCTS

- Drains: DR320 or DR340

STANDARDS COMPLIANCE

- UPC/cUPC compliant

IMPORTANT

Due to the handcrafted nature of this product, it will vary in finish, texture, hammering, and other details. Dimensions may vary up to 1/4" (6mm). We strongly recommend waiting for the actual product before making any installation cuts.

SIDE VIEW

